

# **MELSTEEL**

**PTY LTD**

## **BUILDERS PRICE LIST**



### **SALES AND DISTRIBUTION DIVISION:**

**ABN:** 13 006 287 038

**Address:** 132 - 134 Abbott Road  
Hallam, VIC 3803

**Phone:** 8794 3100

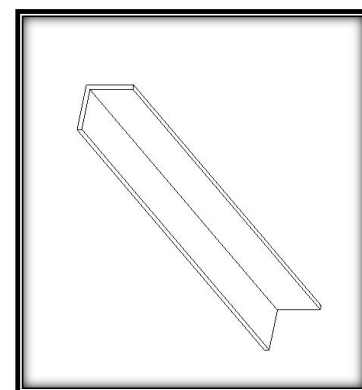
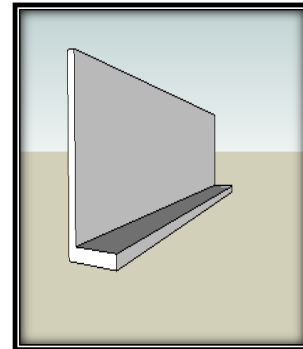
**Fax:** 9796 3588

**Email:** [buysteel@melsteel.com.au](mailto:buysteel@melsteel.com.au)

**Website:** [www.melsteel.com.au](http://www.melsteel.com.au)

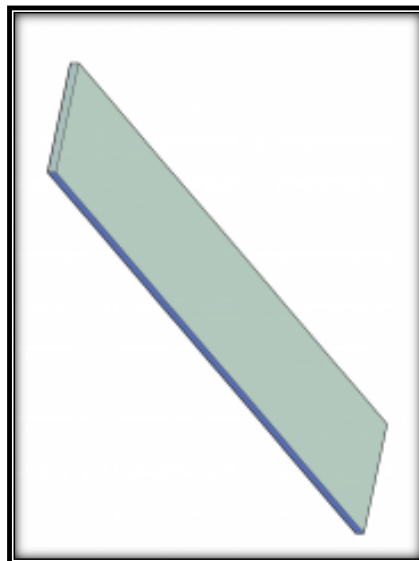
**Postal Address:** P.O. Box 63  
Hallam, VIC 3803

ANGLES			
Size	Length (m)	Primed \$	Galvanised \$
75 x 75 x 6	1.0	\$ 16.50	\$ 22.50
90 x 90 x 6	1.0	\$ 19.90	\$ 27.15
90 x 90 x 8	1.0	\$ 25.70	\$ 35.00
90 x 90 x 10	1.0	\$ 30.75	\$ 41.90
100 x 75 x 6	1.0	\$ 19.30	\$ 26.35
	1.2	\$ 23.20	\$ 31.65
	1.5	\$ 29.00	\$ 39.55
	1.8	\$ 34.75	\$ 47.50
	2.1	\$ 40.55	\$ 55.35
100 x 75 x 8	1.0	\$ 24.95	\$ 34.00
100 x 75 x 10	1.0	\$ 32.25	\$ 40.95
100 x 100 x 6	1.0	\$ 18.00	\$ 20.00
	1.2	\$ 21.60	\$ 24.00
	1.5	\$ 27.00	\$ 30.00
	1.8	\$ 32.40	\$ 38.00
	2.1	\$ 37.80	\$ 42.00
	2.4	\$ 43.20	\$ 48.00
	2.7	\$ 48.60	\$ 54.00
100 x 100 x 8	1.0	\$ 24.00	\$ 26.00
	1.5	\$ 36.00	\$ 39.00
	1.8	\$ 43.20	\$ 46.80
	2.1	\$ 50.40	\$ 54.60
	2.4	\$ 57.60	\$ 62.40
	2.7	\$ 64.80	\$ 70.20
	3.0	\$ 72.00	\$ 78.00
100 x 100 x 10	1.0	\$ 34.40	\$ 35.20
	2.4	\$ 82.60	\$ 84.50
	2.7	\$ 92.90	\$ 95.05
	3.0	\$ 103.20	\$ 105.60
	3.3	\$ 113.55	\$ 116.15
100 x 100 x 12	1.0	\$ 38.95	\$ 53.10
125 x 75 x 6	1.0	\$ 22.15	\$ 30.25
125 x 75 x 8	1.0	\$ 28.60	\$ 38.95
125 x 75 x 10	1.0	\$ 34.40	\$ 46.85
125 x 75 x 12	1.0	\$ 42.85	\$ 58.40
125 x 125 x 8	1.0	\$ 36.10	\$ 52.45
125 x 125 x 10	1.0	\$ 48.60	\$ 59.40
125 x 125 x 12	1.0	\$ 54.45	\$ 74.25
125 x 125 x 16	1.0	\$ 70.40	\$ 96.05
150 x 90 x 8	1.0	\$ 34.65	\$ 47.20
	2.7	\$ 93.55	\$ 127.45
	3.0	\$ 103.95	\$ 141.60
	3.3	\$ 114.35	\$ 155.75
150 x 90 x 10	1.0	\$ 41.85	\$ 57.10
150 x 100 x 10	1.0	\$ 43.00	\$ 45.00
	2.7	\$ 116.10	\$ 121.50
	3.0	\$ 129.00	\$ 135.00
	3.3	\$ 141.90	\$ 148.50
	3.6	\$ 154.80	\$ 162.00
150 x 100 x 12	1.0	\$ 54.45	\$ 74.25
150 x 150 x 10	1.0	\$ 53.00	\$ 72.30
150 x 150 x 12	1.0	\$ 66.05	\$ 90.10



\*\*\*\*Please add 10% for GST to all listed items.\*\*\*\*  
 \*\*\*\*Prices subject to change without notification.\*\*\*\*

FLAT BAR			
Size	Length (m)	Primed \$	Galvanised \$
75 x 6	1.0	\$ 8.80	\$ 12.00
	0.6	\$ 5.30	\$ 7.20
	0.9	\$ 7.90	\$ 10.80
	1.2	\$ 10.55	\$ 14.40
75 x 8	1.0	\$ 11.65	\$ 15.95
	0.6	\$ 7.00	\$ 9.60
	0.9	\$ 10.50	\$ 14.35
	1.2	\$ 14.00	\$ 19.15
90 x 6	1.0	\$ 10.50	\$ 14.35
90 x 8	1.0	\$ 14.05	\$ 19.15
100 x 6	1.0	\$ 11.70	\$ 15.95
	0.9	\$ 10.55	\$ 14.35
	1.2	\$ 14.05	\$ 19.15
100 x 8	1.0	\$ 15.60	\$ 21.25
100 x 10	1.0	\$ 19.50	\$ 26.60
	0.9	\$ 17.55	\$ 23.95
	1.2	\$ 23.40	\$ 31.90



T-BAR			
Horizontal (H)	Vertical (V)	Primed \$/m	Galvanised \$/m
200 x 6	100 x 6	\$ 57.00	\$ 66.00
200 x 6	150 x 6	\$ 61.00	\$ 71.00
200 x 6	150 x 8	\$ 69.00	\$ 81.00
200 x 6	150 x 10	\$ 73.00	\$ 86.00
200 x 6	200 x 6	\$ 67.00	\$ 78.00
200 x 6	200 x 8	\$ 73.00	\$ 86.00
200 x 8	150 x 8	\$ 75.00	\$ 87.00
200 x 8	200 x 8	\$ 82.00	\$ 96.00
200 x 8	250 x 10	\$ 98.00	\$ 115.00
200 x 10	150 x 10	\$ 88.00	\$ 104.00
200 x 10	200 x 10	\$ 98.00	\$ 115.00
200 x 10	200 x 12	\$ 105.00	\$ 125.00
200 x 10	250 x 10	\$ 107.00	\$ 127.00
200 x 10	250 x 12	\$ 117.00	\$ 139.00
200 x 10	250 x 16	\$ 136.00	\$ 163.00
200 x 10	300 x 12	\$ 129.00	\$ 154.00
250 x 10	200 x 10	\$ 111.00	\$ 127.00

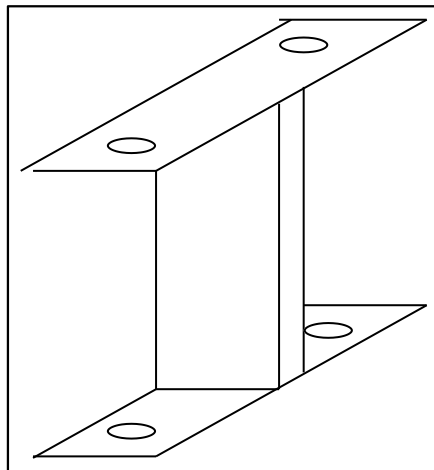


\*\*\*\*Please add 10% for GST to all listed items.\*\*\*\*  
 \*\*\*\*Prices subject to change without notification.\*\*\*\*

**COLUMN & STANDARD CAP & BASE PLATES**  
Average Plate Size

Base 200 x 200 x 10 mm Plate  
Cap 100 x 200 x 10 mm Plate

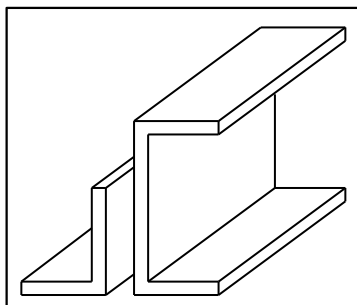
Columns (SHS)	Length	Primed \$	Galvanised \$
75 x 75 x 4	2.7	\$ 126.00	\$ 144.00
75 x 75 x 5	2.7	\$ 137.00	\$ 159.00
75 x 75 x 6	2.7	\$ 148.00	\$ 174.00
89 x 89 x 3.5	2.7	\$ 129.00	\$ 149.00
89 x 89 x 5	2.7	\$ 152.00	\$ 179.00
89 x 89 x 6	2.7	\$ 166.00	\$ 198.00
100 x 100 x 4	2.7	\$ 146.00	\$ 171.00
100 x 100 x 5	2.7	\$ 163.00	\$ 193.00
100 x 100 x 6	2.7	\$ 179.00	\$ 215.00



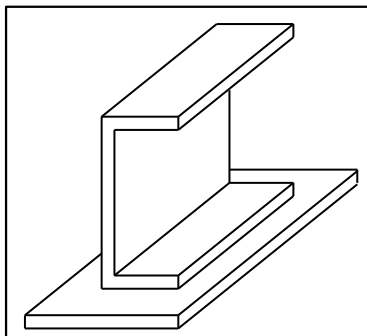
\*\*\*\*Please add 10% for GST to all listed items. \*\*\*\*  
\*\*\*\*Prices subject to change without notification. \*\*\*\*

**SHELF BEAM**

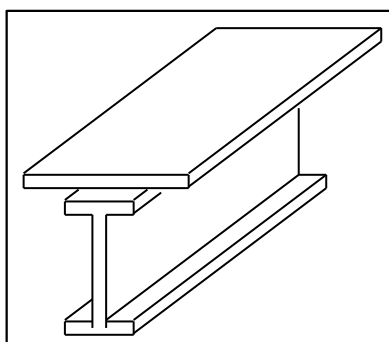
Channel	Angle	Primed \$/m	Galvanised \$/m
150 x 75	100 x 75 x 6	\$ 82.00	\$ 103.00
230 x 75	100 x 100 x 8	\$ 109.00	\$ 139.00
300 x 90	100 x 100 x 6	\$ 139.00	\$ 178.00



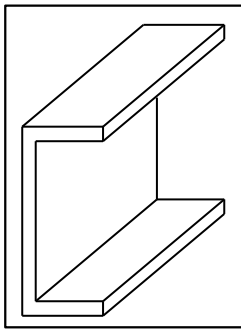
Channel	Flat	Primed \$/m	Galvanised \$/m
150 x 75	200 x 10	\$ 102.00	\$ 129.00
180 x 75	200 x 10	\$ 107.00	\$ 136.00
200 x 75	200 x 10	\$ 114.00	\$ 145.00
230 x 75	200 x 10	\$ 119.00	\$ 152.00
250 x 90	200 x 10	\$ 144.00	\$ 186.00
300 x 90	200 x 10	\$ 155.00	\$ 200.00



Universal Beam	Flat	Primed \$/m	Galvanised \$/m
200 UB 25	200 x 10	\$ 120.00	\$ 153.00
200 UB 29	200 x 10	\$ 131.00	\$ 167.00
250 UB 31	200 x 10	\$ 134.00	\$ 172.00
310 UB 46	200 x 10	\$ 170.00	\$ 220.00
360 UB 44	200 x 10	\$ 166.00	\$ 215.00

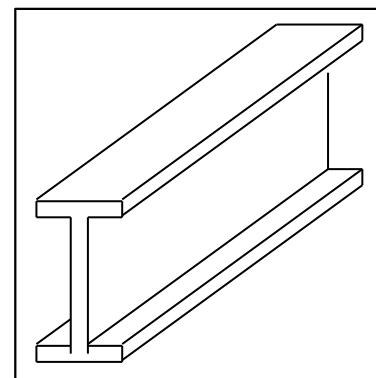


\*\*\*\*Please add 10% for GST to all listed items. \*\*\*\*  
 \*\*\*\*Prices subject to change without notification. \*\*\*\*



CHANNEL		
Size	Primed \$/m	Galvanised \$/m
100 x 50	\$ 20.00	\$ 27.00
125 x 65	\$ 29.00	\$ 39.00
150 x 75	\$ 43.00	\$ 57.00
180 x 75	\$ 51.00	\$ 67.00
200 x 75	\$ 55.00	\$ 74.00
230 x 75	\$ 61.00	\$ 81.00
250 x 90	\$ 86.00	\$ 114.00
300 x 90	\$ 97.00	\$ 129.00
380 x 100	\$ 133.00	\$ 177.00

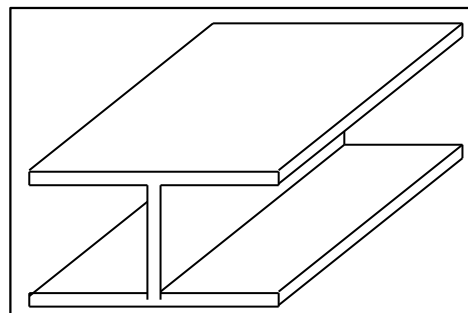
UNIVERSAL BEAM		
Size	Primed \$/m	Galvanised \$/m
150 UB 14	\$ 34.00	\$ 45.00
150 UB 18	\$ 44.00	\$ 58.00
180 UB 16.1	\$ 39.00	\$ 52.00
180 UB 18.1	\$ 44.00	\$ 58.00
180 UB 22.2	\$ 54.00	\$ 72.00
200 UB 18.2	\$ 44.00	\$ 59.00
200 UB 22.3	\$ 54.00	\$ 72.00
200 UB 25.4	\$ 61.00	\$ 82.00
200 UB 29.8	\$ 72.00	\$ 96.00
250 UB 25.7	\$ 62.00	\$ 83.00
250 UB 31.4	\$ 76.00	\$ 101.00
250 UB 37.3	\$ 90.00	\$ 120.00
310 UB 32	\$ 77.00	\$ 103.00
310 UB 40.4	\$ 97.00	\$ 130.00
310 UB 46.2	\$ 111.00	\$ 148.00
360 UB 44.7	\$ 108.00	\$ 144.00
360 UB 50.7	\$ 122.00	\$ 163.00
360 UB 56.7	\$ 137.00	\$ 182.00
410 UB 53.7	\$ 129.00	\$ 172.00
410 UB 59.7	\$ 144.00	\$ 192.00
460 UB 67.1	\$ 162.00	\$ 215.00
460 UB 74.6	\$ 180.00	\$ 239.00
460 UB 82.1	\$ 198.00	\$ 263.00
530UB82	\$ 197.00	\$ 263.00
530UB92.4	\$ 222.00	\$ 296.00
610UB101	\$ 243.00	\$ 324.00
610UB113	\$ 272.00	\$ 362.00
610UB125	\$ 300.00	\$ 400.00



\*\*\*\*Please add 10% for GST to all listed items. \*\*\*\*

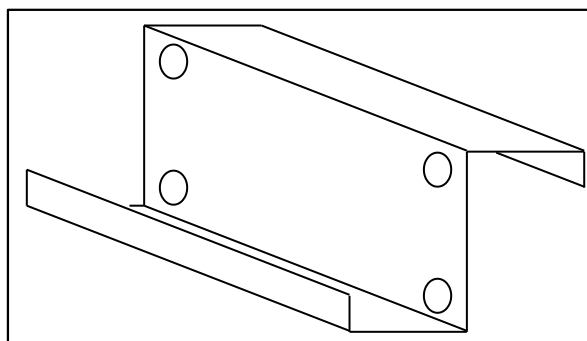
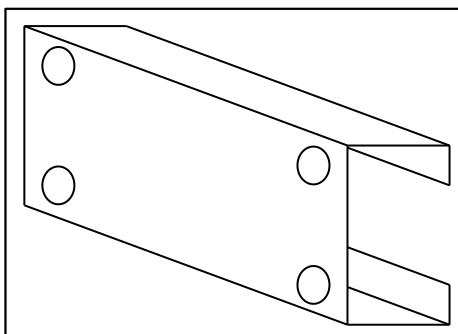
\*\*\*\*Prices subject to change without notification. \*\*\*\*

UNIVERSAL COLUMN		
Size	Primed \$/m	Galvanised \$/m
100 UC 14.8	\$ 33.00	\$ 36.00
150 UC 23.4	\$ 57.00	\$ 75.00
150 UC 30	\$ 72.00	\$ 96.00
150 UC 37.2	\$ 90.00	\$ 120.00
200 UC 46.2	\$ 111.00	\$ 148.00
200 UC 52.2	\$ 126.00	\$ 168.00
200 UC 59.5	\$ 143.00	\$ 191.00
250 UC 72.9	\$ 175.00	\$ 234.00
250 UC 89.5	\$ 215.00	\$ 287.00
310 UC 96.8	\$ 233.00	\$ 310.00
310 UC 118	\$ 284.00	\$ 378.00
310 UC 137	\$ 329.00	\$ 439.00
310 UC 158	\$ 380.00	\$ 506.00



**ZINCFORM PURLINS: CUT TO SIZE & HOLES PUNCHED**

Sizes	\$/m
C10015	\$ 6.50
C10019	\$ 8.50
C15012	\$ 8.00
C15015	\$ 8.50
C15019	\$ 11.00
C15024	\$ 14.50
C20015	\$ 11.50
C20019	\$ 13.50
C25019	\$ 21.00
C25024	\$ 26.00



**Roofing prices are available upon request.**

\*\*\*\*Please add 10% for GST to all listed items.\*\*\*\*

\*\*\*\*Prices subject to change without notification.\*\*\*\*

**CONCRETE MESH, TRENCH MESH, ETC.**

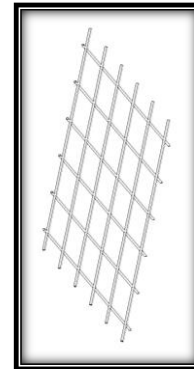
Square Reinforcing Mesh		
Code	Size (m)	\$
F52	6.0 x 2.4	\$ 47.00
F52 (ROLL)		POA
F52H (ROLL)		POA
F62	6.0 x 2.4	\$ 57.00
F72	6.0 x 2.4	\$ 70.00
F81	6.0 x 2.4	\$ 187.00
F82	6.0 x 2.4	\$ 85.00
F92	6.0 x 2.4	\$ 106.00
F102	6.0 x 2.4	\$ 139.00

Trench Mesh		
Size	Size (m)	\$
8/3	6.0 x 2	\$ 19.00
8/4	6.0 x .3	\$ 23.00
8/5	6.0 x .4	\$ 29.00
11/3	6.0 x .2	\$ 27.00
11/4	6.0 x .3	\$ 38.00
11/5	6.0 x .3	\$ 51.00
12/3	6.0 x .2	\$ 32.00
12/4	6.0 x .3	\$ 45.00
12/5	6.0 x .4	\$ 64.00

Rectangular Reinforcing Mesh		
Code	Size (m)	\$
F718	6.0 x 2.4	\$ 139.00
F818	6.0 x 2.4	\$ 146.00
F918	6.0 x 2.4	\$ 161.00
F1018	6.0 x 2.4	\$ 187.00
F1118	6.0 x 2.4	\$ 266.00
F1218	6.0 x 2.4	\$ 285.00

Trench Mesh Supports		
Size	Per Pack	\$
8/11/12	100	\$ 25.00

Plastic Bar Chairs			
Product Code	Size	No. per Bag	\$
RMBC2540	25 x 40	100	\$ 25.00
RMBC5065	50 x 65	100	\$ 30.00
RMBC85100	85 x 100	100	\$ 40.00

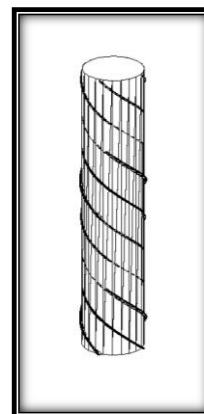


Deformed Bar			
Size	Standard Length (m)	\$/Length	Cut to size / LM
Y12	6	\$10.80	\$1.95
Y16	6	\$18.60	\$3.40
Y20	6	\$29.10	\$5.30
Y24	6	\$42.00	\$7.65
Y28	6	\$57.00	\$10.40
Y32	6	POA	POA
Y36	6	POA	POA
Y40	6	POA	POA
Y50	6	POA	POA



Polythene Film, Fortecon		
Length x Width	Thickness	\$
50m x 4m	.20mm	\$ 102.00

P.V.C Tape	
Size	\$
30m x 48 mm	\$ 6.00



\*\*\*\*Please add 10% for GST to all listed items. \*\*\*\*  
 \*\*\*\*Prices subject to change without notification. \*\*\*\*



**FORMWORK**

Bondek 590 mm Cover	Per m <sup>2</sup>	Up to 100 m <sup>2</sup>	Over 100 m <sup>2</sup>
.60 mm	POA	POA	POA
.75 mm	\$79.90	POA	POA
1.00 mm	\$102.45	POA	POA
Condek 300 mm Cover	Per m <sup>2</sup>	Up to 100 m <sup>2</sup>	Over 100 m <sup>2</sup>
.75 mm	POA	POA	POA
1.00 mm	POA	POA	POA

**BRICK LINTELS TABLE**

CLEAR SPAN OF OPENING (mm)

Brick Work	500 mm	1000 mm	1500 mm	2000 mm	2500 mm	3000 mm
1.0 m	100 x 100 x 6	100 x 100 x 6	100 x 100 x 6	100 x 100 x 6	100 x 100 x 6	100 x 100 x 6
1.2 m	100 x 100 x 6	100 x 100 x 6	100 x 100 x 6	100 x 100 x 6	100 x 100 x 6	100 x 100 x 6
1.5 m	100 x 100 x 6	100 x 100 x 6	100 x 100 x 6	100 x 100 x 6	100 x 100 x 6	100 x 100 x 6
1.8 m	100 x 100 x 6	100 x 100 x 6	100 x 100 x 6	100 x 100 x 6	100 x 100 x 6	100 x 100 x 6
2.1 m	100 x 100 x 6	100 x 100 x 6	100 x 100 x 6	100 x 100 x 6	100 x 100 x 6	100 x 100 x 6
2.4 m	100 x 100 x 6	100 x 100 x 6	100 x 100 x 6	150 x 90 x 8	150 x 90 x 8	150 x 890 x 8
2.7 m	100 x 100 x 6	100 x 100 x 6	150 x 90 x 8	150 x 90 x 8	150 x 90 x 8	150 x 90 x 8
3.0 m	100 x 100 x 6	150 x 90 x 8	150 x 90 x 8	150 x 90 x 8	150 x 100 x 10	

THIS TABLE REFERS ONLY TO EVENLY DISTRIBUTED LOADS:  
 FOR HIGHER LOAD CONDITIONS (e.g. POINT AND ROOF LOADS) REFER/OBTAIN ENGINEERS  
 COMPUTATIONS. FIRST DIMENSION CORRESPONDS TO THE VERTICAL LINTEL LEG  
 (e.g. 150 x 90 x 8 LINTEL, 150 mm LEG IS THE VERTICAL). THIS TABLE IS APPLICABLE TO  
 APPROPRIATE BUILDINGS NOT EXCEEDING 1 METRES IN HEIGHT.



\*\*\*\*Please add 10% for GST to all listed items. \*\*\*\*  
 \*\*\*\*Prices subject to change without notification. \*\*\*\*