

MELSTEEL

PTY LTD

BUILDERS PRICE LIST



SALES AND DISTRIBUTION DIVISION:

ABN: 13 006 287 038

Address: 132 - 134 Abbott Road
Hallam, VIC 3803

Phone: 8794 3100

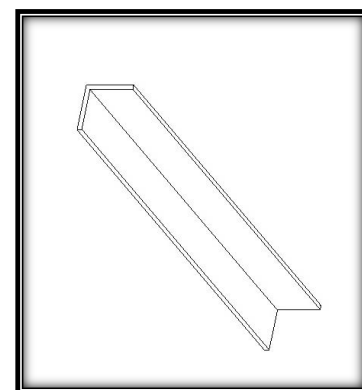
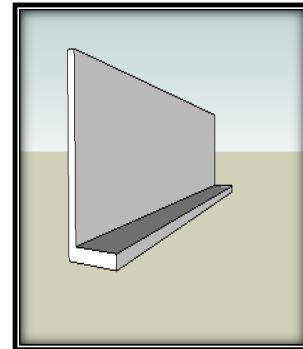
Fax: 9796 3588

Email: buysteel@melsteel.com.au

Website: www.melsteel.com.au

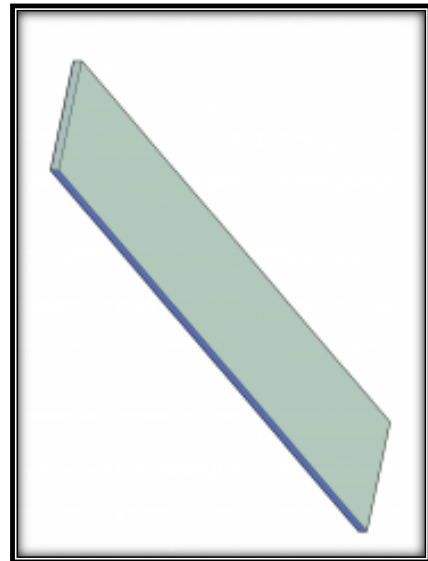
Postal Address: P.O. Box 63
Hallam, VIC 3803

ANGLES			
Size	Length (m)	Primed \$	Galvanised \$
75 x 75 x 6	1.0	\$ 16.50	\$ 22.50
90 x 90 x 6	1.0	\$ 19.90	\$ 27.15
90 x 90 x 8	1.0	\$ 25.70	\$ 35.00
90 x 90 x 10	1.0	\$ 30.75	\$ 41.90
100 x 75 x 6	1.0	\$ 19.30	\$ 26.35
	1.2	\$ 23.20	\$ 31.65
	1.5	\$ 29.00	\$ 39.55
	1.8	\$ 34.75	\$ 47.50
	2.1	\$ 40.55	\$ 55.35
100 x 75 x 8	1.0	\$ 24.95	\$ 34.00
100 x 75 x 10	1.0	\$ 32.25	\$ 40.95
100 x 100 x 6	1.0	\$ 19.80	\$ 22.00
	1.2	\$ 23.75	\$ 26.40
	1.5	\$ 29.70	\$ 33.00
	1.8	\$ 35.65	\$ 39.60
	2.1	\$ 41.60	\$ 46.20
	2.4	\$ 47.55	\$ 52.80
	2.7	\$ 53.45	\$ 59.40
100 x 100 x 8	1.0	\$ 26.40	\$ 28.60
	1.5	\$ 39.60	\$ 42.90
	1.8	\$ 47.50	\$ 51.50
	2.1	\$ 55.45	\$ 60.10
	2.4	\$ 63.35	\$ 68.70
	2.7	\$ 71.30	\$ 77.30
	3.0	\$ 79.20	\$ 85.80
100 x 100 x 10	1.0	\$ 34.40	\$ 35.20
	2.4	\$ 82.60	\$ 84.50
	2.7	\$ 92.90	\$ 95.05
	3.0	\$ 103.20	\$ 105.60
	3.3	\$ 113.55	\$ 116.15
100 x 100 x 12	1.0	\$ 38.95	\$ 53.10
125 x 75 x 6	1.0	\$ 22.15	\$ 30.25
125 x 75 x 8	1.0	\$ 28.60	\$ 38.95
125 x 75 x 10	1.0	\$ 34.40	\$ 46.85
125 x 75 x 12	1.0	\$ 42.85	\$ 58.40
125 x 125 x 8	1.0	\$ 36.10	\$ 52.45
125 x 125 x 10	1.0	\$ 43.55	\$ 59.40
125 x 125 x 12	1.0	\$ 54.45	\$ 74.25
125 x 125 x 16	1.0	\$ 70.40	\$ 96.05
150 x 90 x 8	1.0	\$ 34.65	\$ 47.20
	2.7	\$ 93.55	\$ 127.45
	3.0	\$ 103.95	\$ 141.60
	3.3	\$ 114.35	\$ 155.75
150 x 90 x 10	1.0	\$ 41.85	\$ 57.10
150 x 100 x 10	1.0	\$ 43.55	\$ 49.50
	2.7	\$ 117.60	\$ 133.65
	3.0	\$ 130.65	\$ 148.50
	3.3	\$ 143.75	\$ 163.35
	3.6	\$ 156.80	\$ 178.20
150 x 100 x 12	1.0	\$ 54.45	\$ 74.25
150 x 150 x 10	1.0	\$ 53.00	\$ 72.30
150 x 150 x 12	1.0	\$ 66.05	\$ 90.10



****Please add 10% for GST to all listed items.****
 ****Prices subject to change without notification.****

FLAT BAR			
Size	Length (m)	Primed \$	Galvanised \$
75 x 6	1.0	\$ 8.80	\$ 12.00
	0.6	\$ 5.30	\$ 7.20
	0.9	\$ 7.90	\$ 10.80
	1.2	\$ 10.55	\$ 14.40
75 x 8	1.0	\$ 11.65	\$ 15.95
	0.6	\$ 7.00	\$ 9.60
	0.9	\$ 10.50	\$ 14.35
	1.2	\$ 14.00	\$ 19.15
90 x 6	1.0	\$ 10.50	\$ 14.35
90 x 8	1.0	\$ 14.05	\$ 19.15
100 x 6	1.0	\$ 11.70	\$ 15.95
	0.9	\$ 10.55	\$ 14.35
	1.2	\$ 14.05	\$ 19.15
100 x 8	1.0	\$ 15.60	\$ 21.25
100 x 10	1.0	\$ 19.50	\$ 26.60
	0.9	\$ 17.55	\$ 23.95
	1.2	\$ 23.40	\$ 31.90



T-BAR			
Horizontal (H)	Vertical (V)	Primed \$/m	Galvanised \$/m
200 x 6	100 x 6	\$ 57.00	\$ 66.00
200 x 6	150 x 6	\$ 61.00	\$ 71.00
200 x 6	150 x 8	\$ 69.00	\$ 81.00
200 x 6	150 x 10	\$ 73.00	\$ 86.00
200 x 6	200 x 6	\$ 67.00	\$ 78.00
200 x 6	200 x 8	\$ 73.00	\$ 86.00
200 x 8	150 x 8	\$ 75.00	\$ 87.00
200 x 8	200 x 8	\$ 82.00	\$ 96.00
200 x 8	250 x 10	\$ 98.00	\$ 115.00
200 x 10	150 x 10	\$ 88.00	\$ 104.00
200 x 10	200 x 10	\$ 98.00	\$ 115.00
200 x 10	200 x 12	\$ 105.00	\$ 125.00
200 x 10	250 x 10	\$ 107.00	\$ 127.00
200 x 10	250 x 12	\$ 117.00	\$ 139.00
200 x 10	250 x 16	\$ 136.00	\$ 163.00
200 x 10	300 x 12	\$ 129.00	\$ 154.00
250 x 10	200 x 10	\$ 111.00	\$ 127.00



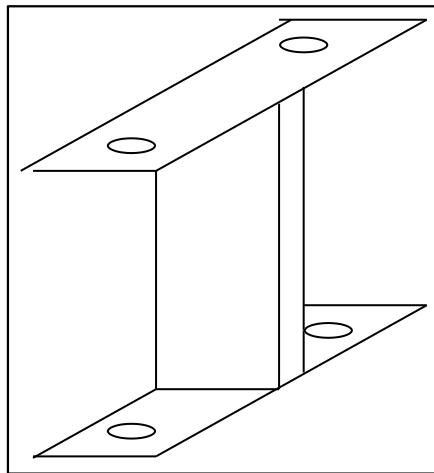
****Please add 10% for GST to all listed items.****

****Prices subject to change without notification.****

COLUMN & STANDARD CAP & BASE PLATES
Average Plate Size

Base 200 x 200 x 10 mm Plate
Cap 100 x 200 x 10 mm Plate

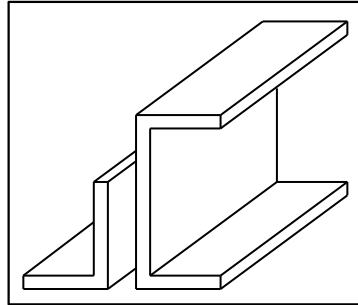
Columns (SHS)	Length	Primed \$	Galvanised \$
75 x 75 x 4	2.7	\$ 126.00	\$ 144.00
75 x 75 x 5	2.7	\$ 137.00	\$ 159.00
75 x 75 x 6	2.7	\$ 148.00	\$ 174.00
89 x 89 x 3.5	2.7	\$ 129.00	\$ 149.00
89 x 89 x 5	2.7	\$ 152.00	\$ 179.00
89 x 89 x 6	2.7	\$ 166.00	\$ 198.00
100 x 100 x 4	2.7	\$ 146.00	\$ 171.00
100 x 100 x 5	2.7	\$ 163.00	\$ 193.00
100 x 100 x 6	2.7	\$ 179.00	\$ 215.00



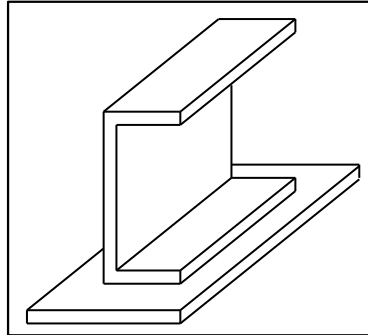
****Please add 10% for GST to all listed items. ****
****Prices subject to change without notification. ****

SHELF BEAM

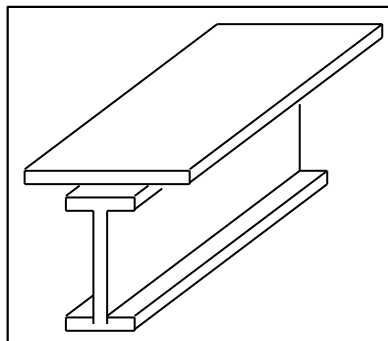
Channel	Angle	Primed \$/m	Galvanised \$/m
150 x 75	100 x 75 x 6	\$ 82.00	\$ 103.00
230 x 75	100 x 100 x 8	\$ 109.00	\$ 139.00
300 x 90	100 x 100 x 6	\$ 139.00	\$ 178.00



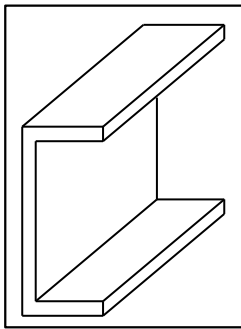
Channel	Flat	Primed \$/m	Galvanised \$/m
150 x 75	200 x 10	\$ 102.00	\$ 129.00
180 x 75	200 x 10	\$ 107.00	\$ 136.00
200 x 75	200 x 10	\$ 114.00	\$ 145.00
230 x 75	200 x 10	\$ 119.00	\$ 152.00
250 x 90	200 x 10	\$ 144.00	\$ 186.00
300 x 90	200 x 10	\$ 155.00	\$ 200.00



Universal Beam	Flat	Primed \$/m	Galvanised \$/m
200 UB 25	200 x 10	\$ 120.00	\$ 153.00
200 UB 29	200 x 10	\$ 131.00	\$ 167.00
250 UB 31	200 x 10	\$ 134.00	\$ 172.00
310 UB 46	200 x 10	\$ 170.00	\$ 220.00
360 UB 44	200 x 10	\$ 166.00	\$ 215.00

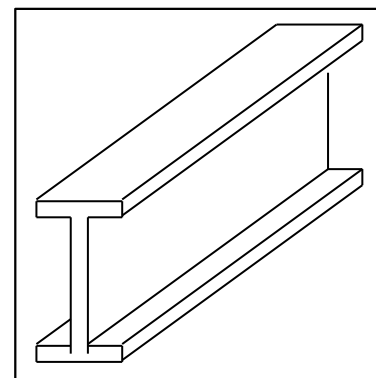


****Please add 10% for GST to all listed items. ****
 ****Prices subject to change without notification. ****



CHANNEL		
Size	Primed \$/m	Galvanised \$/m
100 x 50	\$ 20.00	\$ 27.00
125 x 65	\$ 29.00	\$ 39.00
150 x 75	\$ 43.00	\$ 57.00
180 x 75	\$ 51.00	\$ 67.00
200 x 75	\$ 55.00	\$ 74.00
230 x 75	\$ 61.00	\$ 81.00
250 x 90	\$ 86.00	\$ 114.00
300 x 90	\$ 97.00	\$ 129.00
380 x 100	\$ 133.00	\$ 177.00

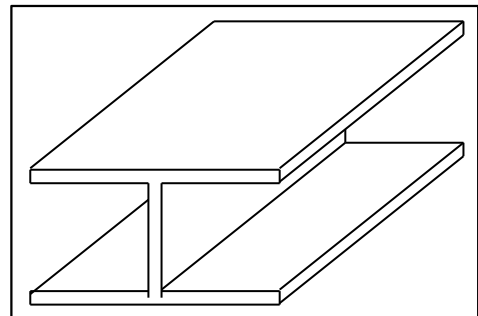
UNIVERSAL BEAM		
Size	Primed \$/m	Galvanised \$/m
150 UB 14	\$ 34.00	\$ 45.00
150 UB 18	\$ 44.00	\$ 58.00
180 UB 16.1	\$ 39.00	\$ 52.00
180 UB 18.1	\$ 44.00	\$ 58.00
180 UB 22.2	\$ 54.00	\$ 72.00
200 UB 18.2	\$ 44.00	\$ 59.00
200 UB 22.3	\$ 54.00	\$ 72.00
200 UB 25.4	\$ 61.00	\$ 82.00
200 UB 29.8	\$ 72.00	\$ 96.00
250 UB 25.7	\$ 62.00	\$ 83.00
250 UB 31.4	\$ 76.00	\$ 101.00
250 UB 37.3	\$ 90.00	\$ 120.00
310 UB 32	\$ 77.00	\$ 103.00
310 UB 40.4	\$ 97.00	\$ 130.00
310 UB 46.2	\$ 111.00	\$ 148.00
360 UB 44.7	\$ 108.00	\$ 144.00
360 UB 50.7	\$ 122.00	\$ 163.00
360 UB 56.7	\$ 137.00	\$ 182.00
410 UB 53.7	\$ 129.00	\$ 172.00
410 UB 59.7	\$ 144.00	\$ 192.00
460 UB 67.1	\$ 162.00	\$ 215.00
460 UB 74.6	\$ 180.00	\$ 239.00
460 UB 82.1	\$ 198.00	\$ 263.00
530UB82	\$ 197.00	\$ 263.00
530UB92.4	\$ 222.00	\$ 296.00
610UB101	\$ 243.00	\$ 324.00
610UB113	\$ 272.00	\$ 362.00
610UB125	\$ 300.00	\$ 400.00



****Please add 10% for GST to all listed items. ****

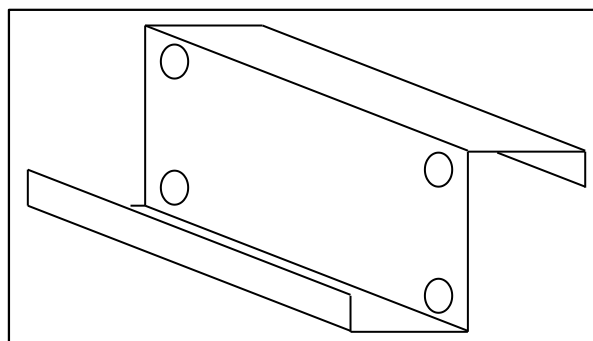
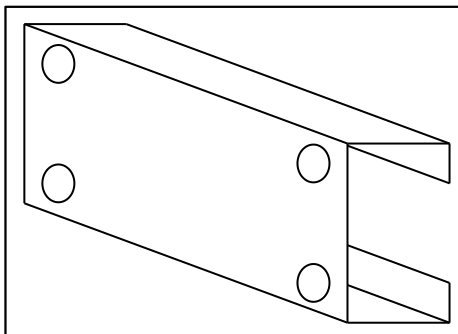
****Prices subject to change without notification. ****

UNIVERSAL COLUMN		
Size	Primed \$/m	Galvanised \$/m
100 UC 14.8	\$ 33.00	\$ 36.00
150 UC 23.4	\$ 57.00	\$ 75.00
150 UC 30	\$ 72.00	\$ 96.00
150 UC 37.2	\$ 90.00	\$ 120.00
200 UC 46.2	\$ 111.00	\$ 148.00
200 UC 52.2	\$ 126.00	\$ 168.00
200 UC 59.5	\$ 143.00	\$ 191.00
250 UC 72.9	\$ 175.00	\$ 234.00
250 UC 89.5	\$ 215.00	\$ 287.00
310 UC 96.8	\$ 233.00	\$ 310.00
310 UC 118	\$ 284.00	\$ 378.00
310 UC 137	\$ 329.00	\$ 439.00
310 UC 158	\$ 380.00	\$ 506.00



ZINCFORM PURLINS: CUT TO SIZE & HOLES PUNCHED

Sizes	\$/m
C10015	\$ 6.50
C10019	\$ 8.50
C15012	\$ 8.00
C15015	\$ 8.50
C15019	\$ 11.00
C15024	\$ 14.50
C20015	\$ 11.50
C20019	\$ 13.50
C25019	\$ 21.00
C25024	\$ 26.00



Roofing prices are available upon request.

****Please add 10% for GST to all listed items.****

****Prices subject to change without notification.****

CONCRETE MESH, TRENCH MESH, ETC.

Square Reinforcing Mesh

Code	Size (m)	\$
F52	6.0 x 2.4	\$ 47.00
F52 (ROLL)		POA
F52H (ROLL)		POA
F62	6.0 x 2.4	\$ 57.00
F72	6.0 x 2.4	\$ 70.00
F81	6.0 x 2.4	\$ 187.00
F82	6.0 x 2.4	\$ 85.00
F92	6.0 x 2.4	\$ 106.00
F102	6.0 x 2.4	\$ 139.00

Trench Mesh

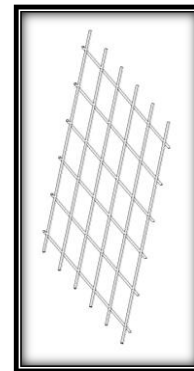
Size	Size (m)	\$
8/3	6.0 x 2	\$ 19.00
8/4	6.0 x .3	\$ 23.00
8/5	6.0 x .4	\$ 29.00
11/3	6.0 x 2	\$ 27.00
11/4	6.0 x .3	\$ 38.00
11/5	6.0 x .3	\$ 51.00
12/3	6.0 x 2	\$ 32.00
12/4	6.0 x .3	\$ 45.00
12/5	6.0 x .4	\$ 64.00

Rectangular Reinforcing Mesh

Code	Size (m)	\$
F718	6.0 x 2.4	\$ 139.00
F818	6.0 x 2.4	\$ 146.00
F918	6.0 x 2.4	\$ 161.00
F1018	6.0 x 2.4	\$ 187.00
F1118	6.0 x 2.4	\$ 266.00
F1218	6.0 x 2.4	\$ 285.00

Trench Mesh Supports

Size	Per Pack	\$
8/11/12	100	\$ 25.00



Plastic Bar Chairs

Product Code	Size	No. per Bag	\$
RMBC2540	25 x 40	100	\$ 25.00
RMBC5065	50 x 65	100	\$ 30.00
RMBC85100	85 x 100	100	\$ 40.00

Deformed Bar

Size	Standard Length (m)	\$/Length	Cut to size / LM
Y12	6	\$10.80	\$1.95
Y16	6	\$18.60	\$3.40
Y20	6	\$29.10	\$5.30
Y24	6	\$42.00	\$7.65
Y28	6	\$57.00	\$10.40
Y32	6	POA	POA
Y36	6	POA	POA
Y40	6	POA	POA
Y50	6	POA	POA

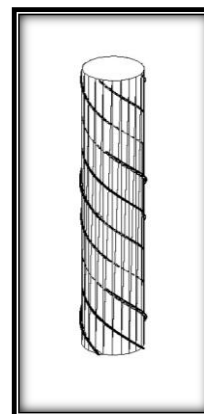


Polythene Film, Fortecon

Length x Width	Thickness	\$
50m x 4m	.20mm	\$ 102.00

P.V.C Tape

Size	\$
30m x 48 mm	\$ 6.00



****Please add 10% for GST to all listed items. ****

****Prices subject to change without notification. ****

FORMWORK

Bondek 590 mm Cover	Per m ²	Up to 100 m ²	Over 100 m ²
.60 mm	POA	POA	POA
.75 mm	\$79.90	POA	POA
1.00 mm	\$102.45	POA	POA
Condek 300 mm Cover	Per m ²	Up to 100 m ²	Over 100 m ²
.75 mm	POA	POA	POA
1.00 mm	POA	POA	POA

BRICK LINTELS TABLE

CLEAR SPAN OF OPENING (mm)

Brick Work	500 mm	1000 mm	1500 mm	2000 mm	2500 mm	3000 mm
1.0 m	100 x 100 x 6	100 x 100 x 6	100 x 100 x 6	100 x 100 x 6	100 x 100 x 6	100 x 100 x 6
1.2 m	100 x 100 x 6	100 x 100 x 6	100 x 100 x 6	100 x 100 x 6	100 x 100 x 6	100 x 100 x 6
1.5 m	100 x 100 x 6	100 x 100 x 6	100 x 100 x 6	100 x 100 x 6	100 x 100 x 6	100 x 100 x 6
1.8 m	100 x 100 x 6	100 x 100 x 6	100 x 100 x 6	100 x 100 x 6	100 x 100 x 6	100 x 100 x 6
2.1 m	100 x 100 x 6	100 x 100 x 6	100 x 100 x 6	100 x 100 x 6	100 x 100 x 6	100 x 100 x 6
2.4 m	100 x 100 x 6	100 x 100 x 6	100 x 100 x 6	150 x 90 x 8	150 x 90 x 8	150 x 890 x 8
2.7 m	100 x 100 x 6	100 x 100 x 6	150 x 90 x 8	150 x 90 x 8	150 x 90 x 8	150 x 90 x 8
3.0 m	100 x 100 x 6	150 x 90 x 8	150 x 90 x 8	150 x 90 x 8	150 x 100 x 10	

THIS TABLE REFERS ONLY TO EVENLY DISTRIBUTED LOADS:
 FOR HIGHER LOAD CONDITIONS (e.g. POINT AND ROOF LOADS) REFER/OBTAIN ENGINEERS
 COMPUTATIONS. FIRST DIMENSION CORRESPONDS TO THE VERTICAL LINTEL LEG
 (e.g. 150 x 90 x 8 LINTEL, 150 mm LEG IS THE VERTICAL). THIS TABLE IS APPLICABLE TO
 APPROPRIATE BUILDINGS NOT EXCEEDING 1 METRES IN HEIGHT.



****Please add 10% for GST to all listed items. ****
 ****Prices subject to change without notification. ****